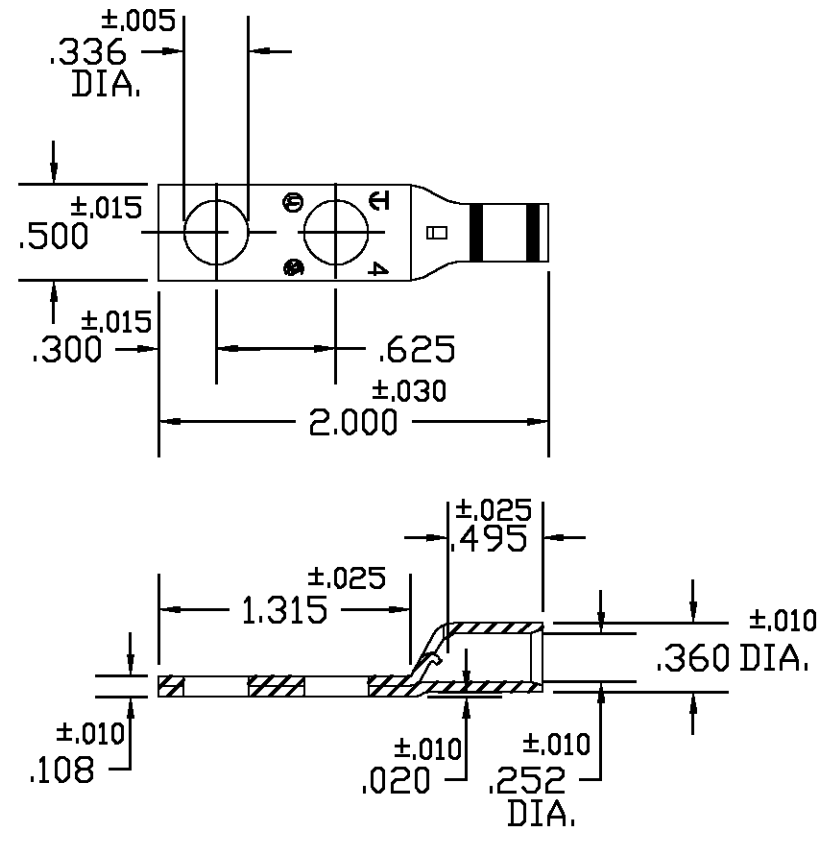


THIS DRAWING IS UNPUBLISHED. RELEASED FOR PUBLICATION
 © COPYRIGHT BY TYCO ELECTRONICS CORPORATION. ALL RIGHTS RESERVED.

LOC	DIST	REVISIONS					
		P	LTR	DESCRIPTION	DATE	DWN	APVD
G	50		A	REV PER 0G61-0029-03	05JUN03	JR	MS



COLOR CODED GREY

ACTIVE	2-4567	STANDARD	COLOR CODED	1527278-3
STATUS	AET P/N	PACKAGING	FINISH	PART NUMBER

THIS DRAWING IS A CONTROLLED DOCUMENT.		DWN D.A.A 11/29/00	Tyco Electronics Corporation Harrisburg, PA 17105-3608		
DIMENSIONS: INCHES		CHK H.D.F 11/29/00			
TOLERANCES UNLESS OTHERWISE SPECIFIED:		APVD H.D.F 11/29/00	PRODUCT SPEC -		
0 PLC ± - 1 PLC ± - 2 PLC ± - 3 PLC ± - 4 PLC ± - ANGLES ± -		APPLICATION SPEC -	RESTRICTED TO -		
MATERIAL COPPER ASTM B-75		FINISH -	WEIGHT -	SIZE A3	CAGE CODE 00779
CUSTOMER DRAWING			DRAWING NO C-1527278	SCALE 1:1	
			SHEET 1 OF 1		REV A